

GV-IO 12-In Card

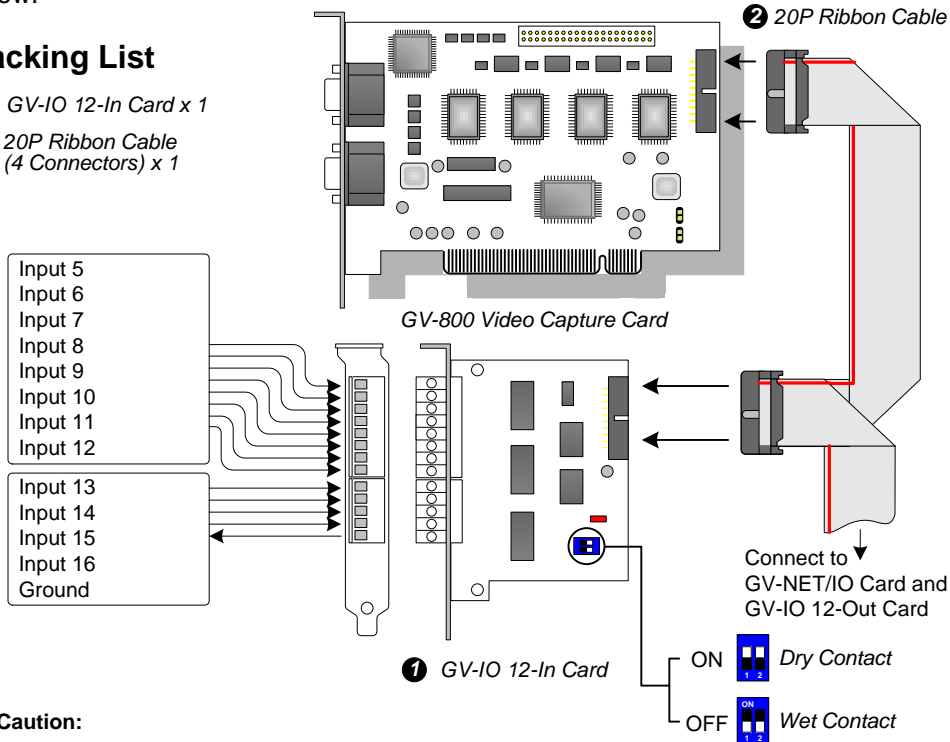
The GV-IO card with 12 digital inputs provides an interface for your external devices such as sensors and detectors.

Installation

Insert the GV-IO 12-In card to an empty card slot. Connect the 20P ribbon cable to the Video Capture card, the GV-IO 12-out card, and the GV-NET/IO card as shown below.

Packing List

- ① GV-IO 12-In Card x 1
- ② 20P Ribbon Cable (4 Connectors) x 1



⚠ Caution:

1. Use the switch for dry contact and 5V wet contact.
2. GV-IO 12-In card accepts either all dry contact or all wet contact devices. Don't mix two different contact devices to the same card. (Default Setting: Dry Contact)
3. To prevent the noise interference in I/O operation, tightly screw the GV-IO card to the PC case.
4. GV-IO 12-In Card must work with GV-NET/IO Card together.

Specifications

Input	Input	12
	Input Signal	5V DC (floating) / TTL
	High State	5V
	Low State	0V
Environmental Conditions	0~50 degree C, 5%~95% (non-condensing)	
Compatible Card Models (H/W)	GV-600 V3, GV-650 V3, GV-800 V3, GV-900 V1.11 and GV-1000 V1.21	

GV-IO 12-Out Card

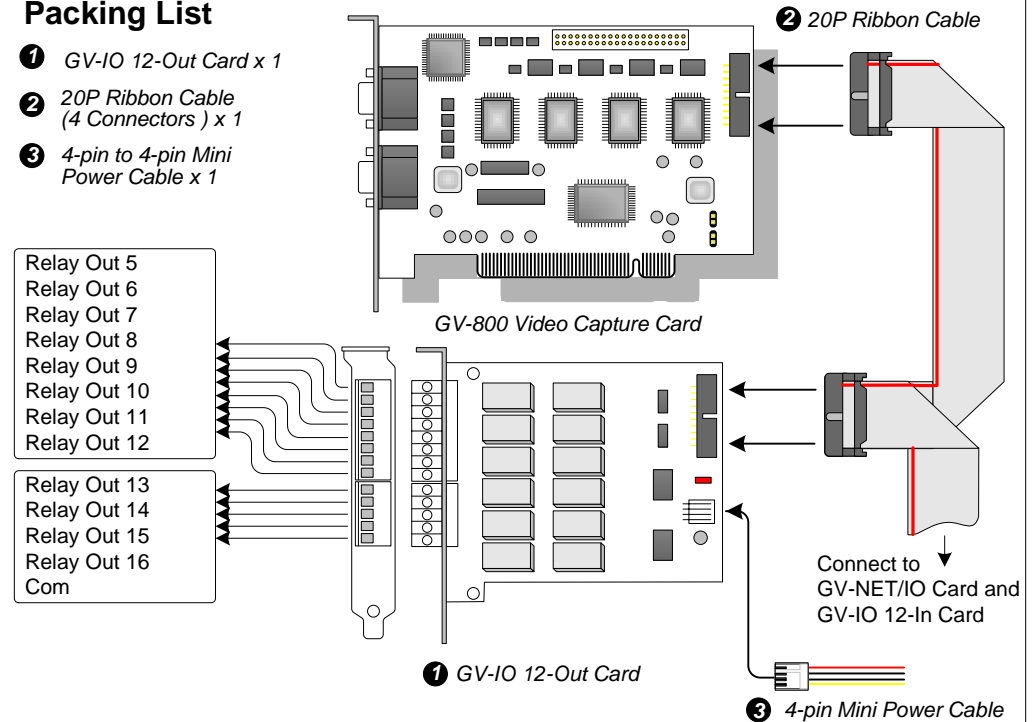
The GV-IO card with 12 relay outputs provides an interface for your external devices such as alarms and gates.

Installation

Insert the GV-IO 12-Out card to an empty card slot. Connect the 20P ribbon cable to the Video Capture card, the GV-IO 12-In card, and the GV-NET/IO card as shown below.

Packing List

- ① GV-IO 12-Out Card x 1
- ② 20P Ribbon Cable (4 Connectors) x 1
- ③ 4-pin to 4-pin Mini Power Cable x 1



⚠ Caution:

1. To prevent the noise interference in I/O operation, tightly screw the GV-IO card to the PC case.
2. GV-IO 12-Out Card must work with GV-NET/IO Card together.

Specifications

Output	Relay Output	12
	Relay Status	Normal Open
	Relay Capacitance	2A / 30V DC; 0.25A / 250V AC
	Relay On/ Off Time	4ms / 4ms
DC IN	DC 5V, 1A	
Environmental Conditions	0~50 degree C, 5%~95% (non-condensing)	
Compatible Card Models (H/W)	GV-600 V3, GV-650 V3, GV-800 V3, GV-900 V1.11 and GV-1000 V1.21	